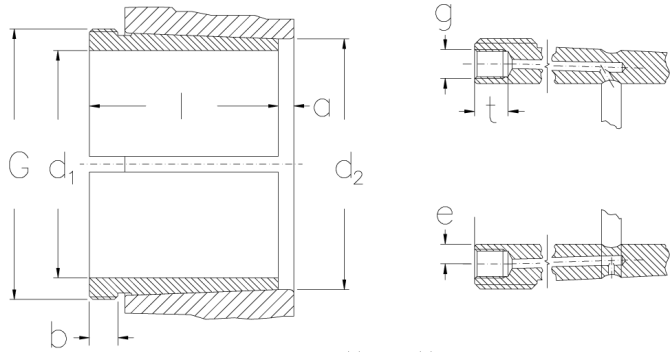




AOH 3056

Withdrawal sleeves



AOH(X) & AOH(X) .. G
Kegel 1:12
(Kegel 1:30 bei H240, H241)

Technical data

d1 (mm)	260
d2 (mm)	280
l (mm)	131
a (mm)	8
G	Tr 300x4
b (mm)	24
g	G 1/4
e (mm)	9
t (mm)	15
Weight (kg)	12

GTIN/EAN



Related products

HM 3060
Locknuts with trapezoidal threads

MB 52
Locking washers with metric dimensions

HM 52 T
Locknuts with trapezoidal threads