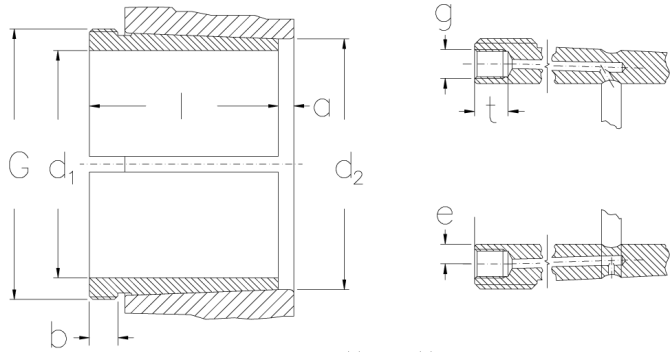




AH 3152

Withdrawal sleeves



AOH(X) & AOH(X) .. G
Kegel 1:12
(Kegel 1:30 bei H240, H241)

Technical data

d1 (mm)	240
d2 (mm)	260
l (mm)	172
a (mm)	7
G	Tr 290x4
b (mm)	26
g	-
e (mm)	-
t (mm)	-
Weight (kg)	16.2

GTIN/EAN



Related products

HM 58 T
Locknuts with trapezoidal threads

MB 48
Locking washers with metric dimensions

HM 48 T
Locknuts with trapezoidal threads