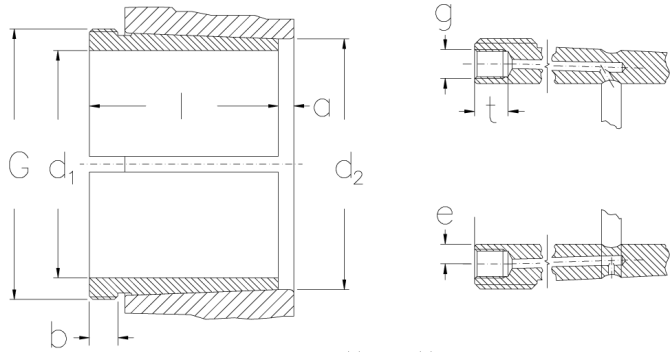




AH 3148

Withdrawal sleeves



AOH(X) & AOH(X) .. G
Kegel 1:12
(Kegel 1:30 bei H240, H241)

Technical data

d1 (mm)	220
d2 (mm)	240
l (mm)	154
a (mm)	7
G	Tr 260x4
b (mm)	25
g	-
e (mm)	-
t (mm)	-
Weight (kg)	12

GTIN/EAN



Related products

HM 52 T
Locknuts with trapezoidal threads

MB 44
Locking washers with metric dimensions

HM 44 T
Locknuts with trapezoidal threads