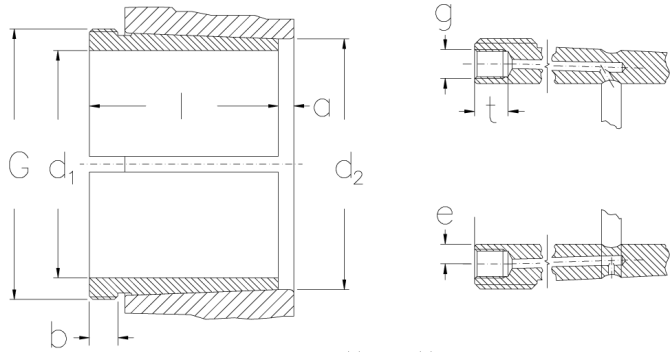




AH 24030

Withdrawal sleeves



AOH(X) & AOH(X) .. G
Kegel 1:12
(Kegel 1:30 bei H240, H241)

Technical data

d1 (mm)	145
d2 (mm)	150
l (mm)	90
a (mm)	11
G	M 155x3
b (mm)	15
g	-
e (mm)	-
t (mm)	-
Weight (kg)	1.11

GTIN/EAN



Related products

KM 31
Locknuts with metric threads

MB 29
Locking washers with metric dimensions

KM 29
Locknuts with metric threads