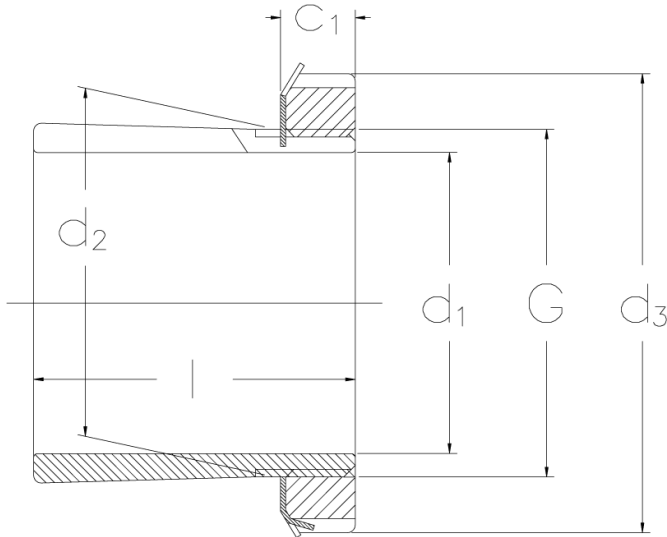




H 3120-3 1/2

Adapter sleeves for inch shafts



Technical data

d1 (Inch)	3 1/2
d2 (mm)	100
l (mm)	76
d3 (mm)	130
G	M 100x2
c1 (mm)	20
Weight (kg)	1.8

GTIN/EAN



Related products

KM 20
Locknuts with metric threads

MB 20
Locking washers with metric dimensions