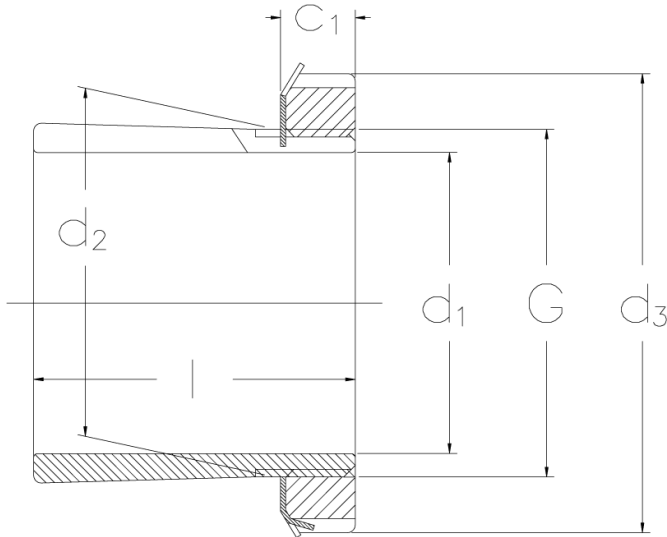




# H 218-3 3/16

Adapter sleeves for inch shafts



## Technical data

d1 (Inch)	3 3/16
d2 (mm)	90
l (mm)	52
d3 (mm)	120
G	M 90x2
c1 (mm)	18
Weight (kg)	1.05

GTIN/EAN



## Related products

KM 18  
Locknuts with metric threads

MB 18  
Locking washers with metric dimensions