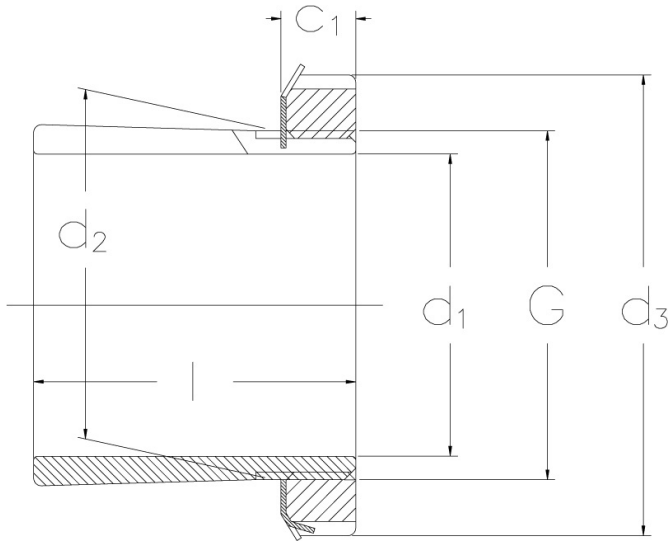




# H 208-1 1/4

Adapter sleeves for inch shafts



## Technical data

d1 (Inch)	1 1/4
d2 (mm)	40
l (mm)	31
d3 (mm)	58
G	M 40x1,5
c1 (mm)	10
Weight (kg)	0.19

GTIN/EAN



## Related products

KM 8  
Locknuts with metric threads

MB 8  
Locking washers with metric dimensions