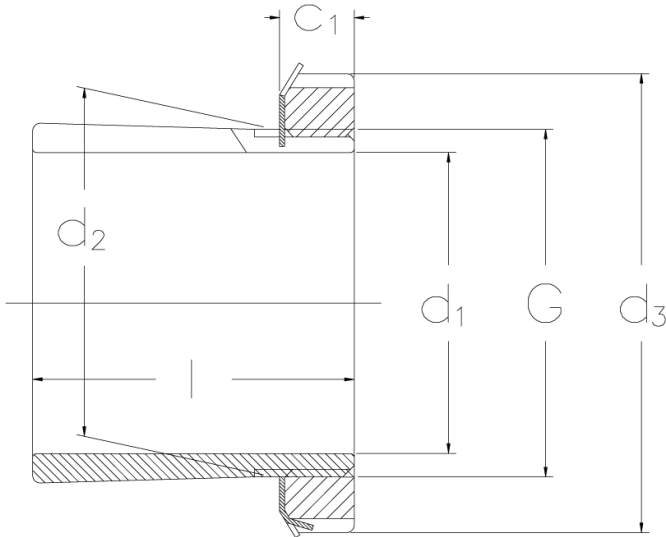




# H 207-1 1/8

Adapter sleeves for inch shafts



### Technical data

d1 (Inch)	1 1/8
d2 (mm)	35
l (mm)	29
d3 (mm)	52
G	M 35x1,5
c1 (mm)	9
Weight (kg)	0.14

GTIN/EAN



### Related products

KM 7  
Locknuts with metric threads

MB 7  
Locking washers with metric dimensions