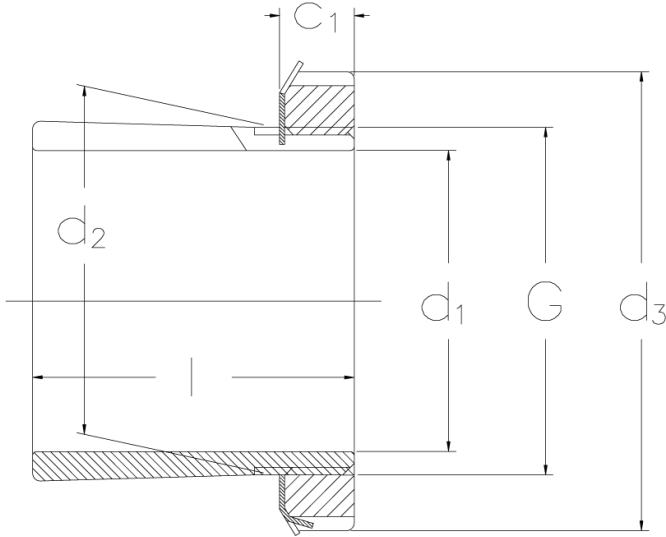




H 2306-1

Adapter sleeves for inch shafts



Technical data

d1 (Inch)	1
d2 (mm)	30
l (mm)	38
d3 (mm)	45
G	M 30x1,5
c1 (mm)	8
Weight (kg)	0.11

GTIN/EAN



Related products

KM 6
Locknuts with metric threads

MB 6
Locking washers with metric dimensions