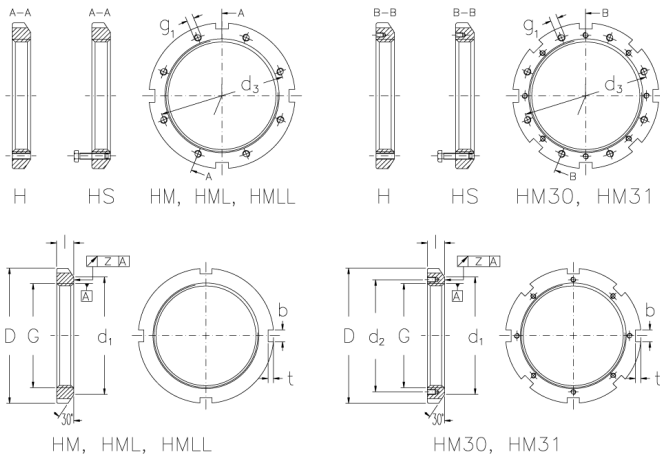




HML 134 THS

Locknuts with trapezoidal threads



Technical data

G	Tr 670x6
l (mm)	70
D (mm)	770
d1 (mm)	730
d2 (mm)	-
b (mm)	45
t (mm)	20
z (mm)	0.15
g1	M16
d3 (mm)	692
Weight (kg)	60.2