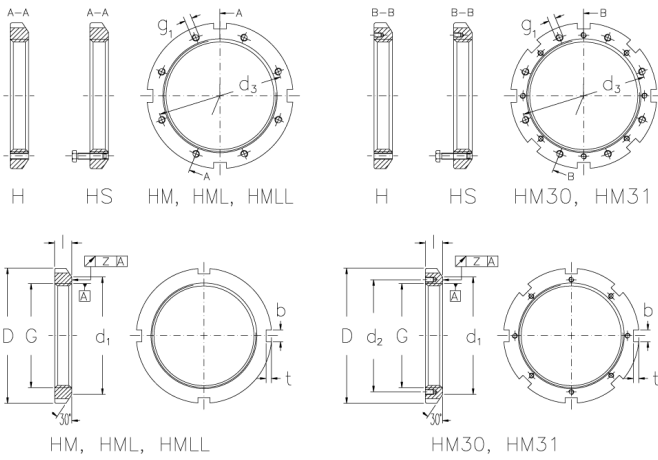




# HM 31/600 H

Locknuts with trapezoidal threads



## Technical data

G	Tr 600x6
l (mm)	85
D (mm)	750
d1 (mm)	690
d2 (mm)	648
b (mm)	45
t (mm)	25
z (mm)	0.15
g1	M24
d3 (mm)	649
Weight (kg)	92.9

## Related products

MS 31/560  
Locking clips with screws