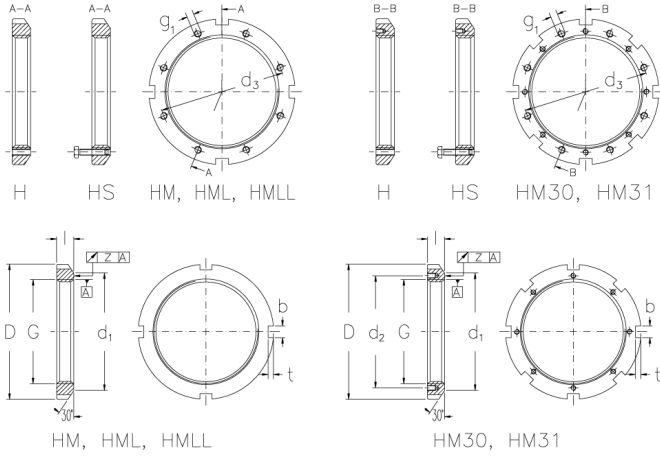




HM 30/560

Locknuts with trapezoidal threads



Technical data

G	Tr 560x6
l (mm)	75
D (mm)	650
d1 (mm)	610
d2 (mm)	583
b (mm)	40
t (mm)	20
z (mm)	0.15
g1	-
d3 (mm)	-
Weight (kg)	44.2

GTIN/EAN



Related products

MS 30/560
Locking clips with screws