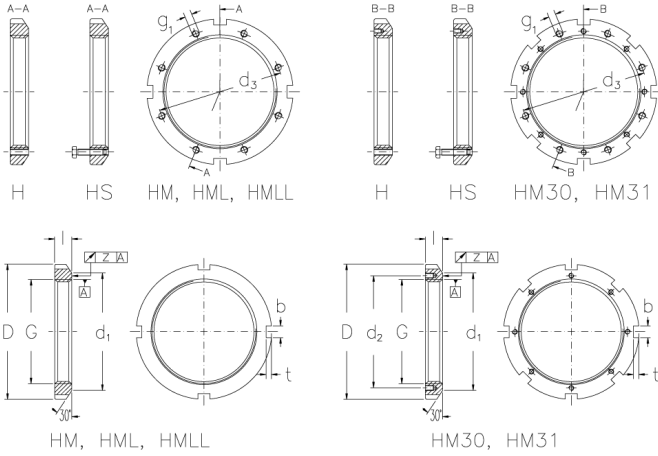




HM 110 T

Locknuts with trapezoidal threads



Technical data

G	Tr 550x6
l (mm)	63
D (mm)	670
d1 (mm)	620
d2 (mm)	-
b (mm)	40
t (mm)	23
z (mm)	0.15
g1	-
d3 (mm)	-
Weight (kg)	53.3

GTIN/EAN

