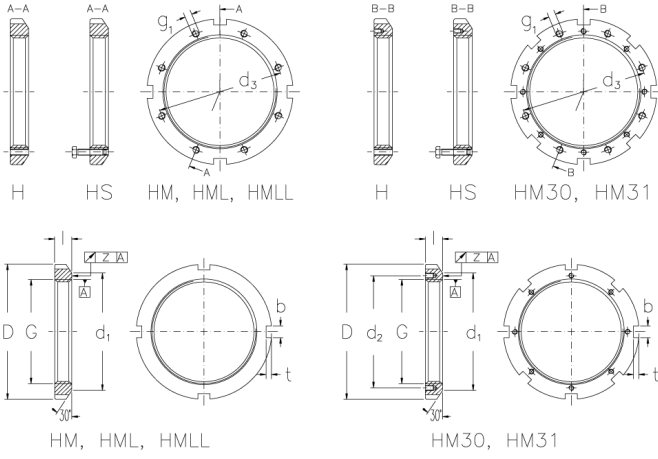




HML 104 TH

Locknuts with trapezoidal threads



Technical data

G	Tr 520x6
l (mm)	47
D (mm)	600
d1 (mm)	570
d2 (mm)	-
b (mm)	36
t (mm)	15
z (mm)	0.15
g1	M12
d3 (mm)	537
Weight (kg)	25