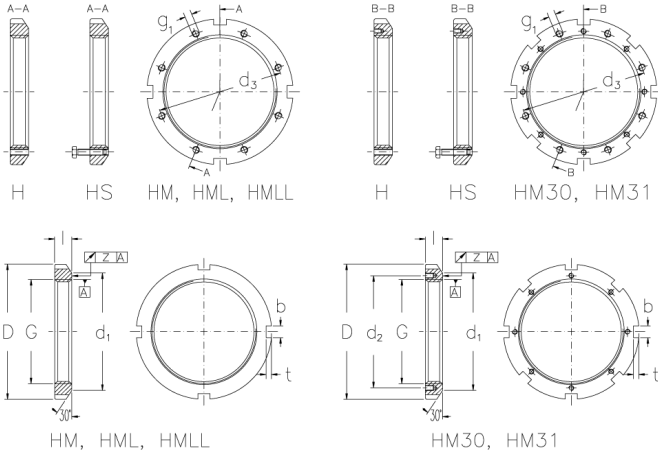




# HM 102 THS

Locknuts with trapezoidal threads



## Technical data

G	Tr 510x6
l (mm)	58
D (mm)	620
d1 (mm)	570
d2 (mm)	-
b (mm)	40
t (mm)	23
z (mm)	0.15
g1	M20
d3 (mm)	536
Weight (kg)	42.3

GTIN/EAN

