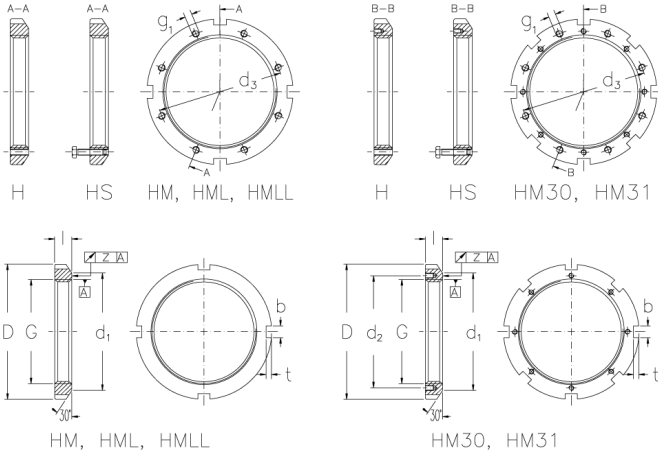




# HM 102 T

Locknuts with trapezoidal threads



## Technical data

G	Tr 510x6
l (mm)	58
D (mm)	620
d1 (mm)	570
d2 (mm)	-
b (mm)	40
t (mm)	23
z (mm)	0.15
g1	-
d3 (mm)	-
Weight (kg)	41.2

GTIN/EAN

