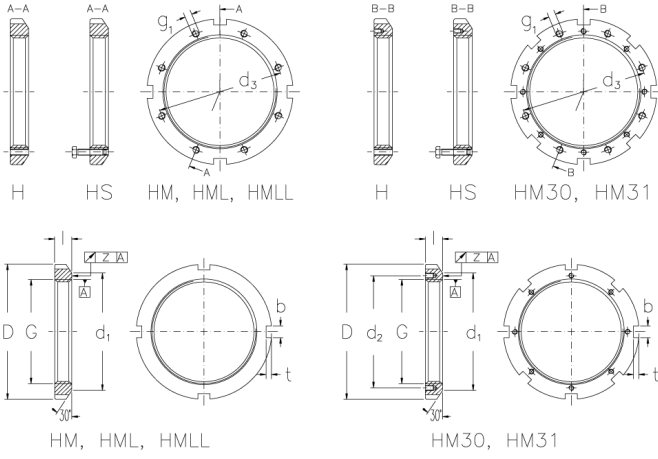




HML 82 TH

Locknuts with trapezoidal threads



Technical data

G	Tr 410x5
l (mm)	39
D (mm)	480
d1 (mm)	452
d2 (mm)	-
b (mm)	32
t (mm)	14
z (mm)	0.12
g1	M12
d3 (mm)	427
Weight (kg)	14.1