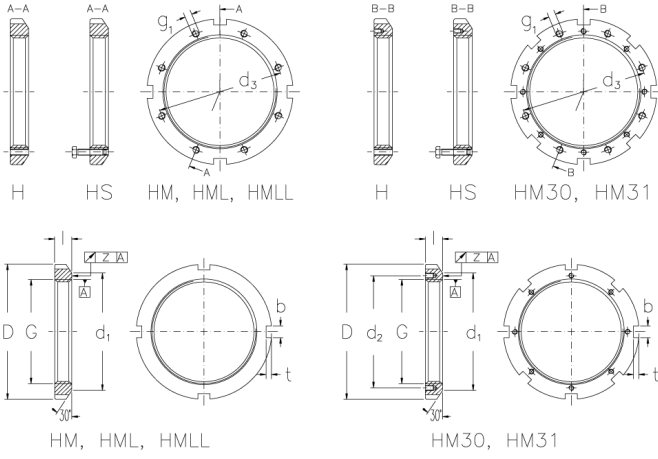




HML 76 T

Locknuts with trapezoidal threads



Technical data

G	Tr 380x5
l (mm)	37
D (mm)	445
d1 (mm)	417
d2 (mm)	-
b (mm)	28
t (mm)	14
z (mm)	0.12
g1	-
d3 (mm)	-
Weight (kg)	11.3