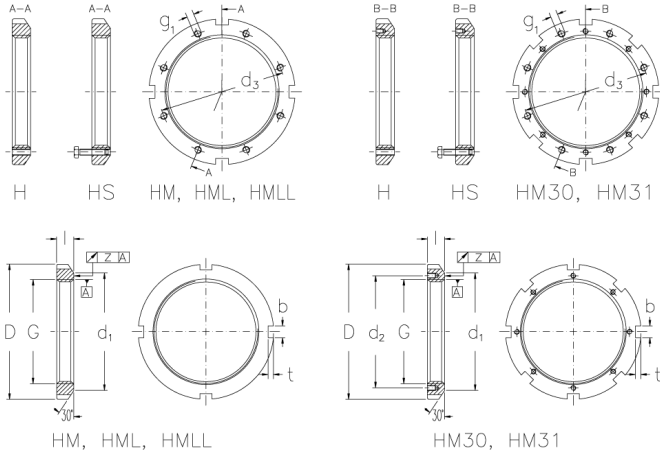




HMLL 75 T

Locknuts with trapezoidal threads



Technical data

G	Tr 375x5
l (mm)	28
D (mm)	430
d1 (mm)	406
d2 (mm)	-
b (mm)	24
t (mm)	12
z (mm)	0.12
g1	-
d3 (mm)	-
Weight (kg)	7.3