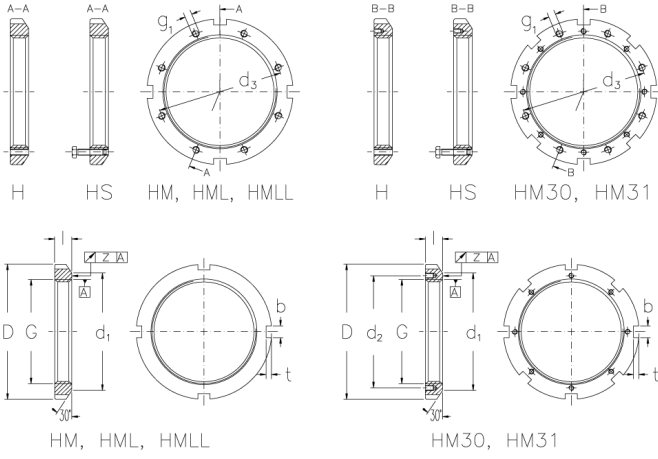




HMLL 71 TH

Locknuts with trapezoidal threads



Technical data

G	Tr 355x5
l (mm)	28
D (mm)	410
d1 (mm)	386
d2 (mm)	-
b (mm)	24
t (mm)	12
z (mm)	0.12
g1	M10
d3 (mm)	370
Weight (kg)	6.8