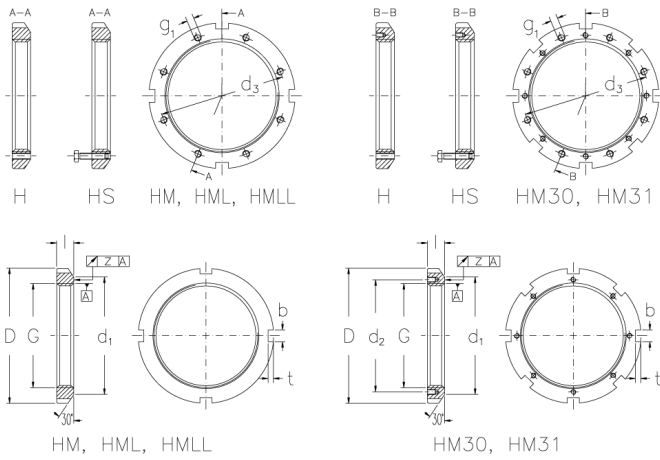




HM 3068

Locknuts with trapezoidal threads



Technical data

G	Tr 340x5
l (mm)	45
D (mm)	400
d1 (mm)	376
d2 (mm)	356
b (mm)	24
t (mm)	12
z (mm)	0.12
g1	-
d3 (mm)	-
Weight (kg)	11.7

GTIN/EAN



Related products

MS 3064
Locking clips with screws