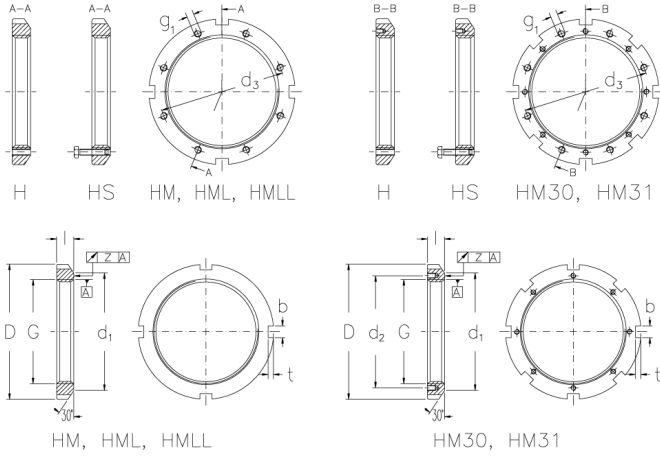




# HM 60 THS

Locknuts with trapezoidal threads



## Technical data

G	Tr 300x4
l (mm)	36
D (mm)	370
d1 (mm)	340
d2 (mm)	-
b (mm)	24
t (mm)	12
z (mm)	0.12
g1	M12
d3 (mm)	318
Weight (kg)	6.4