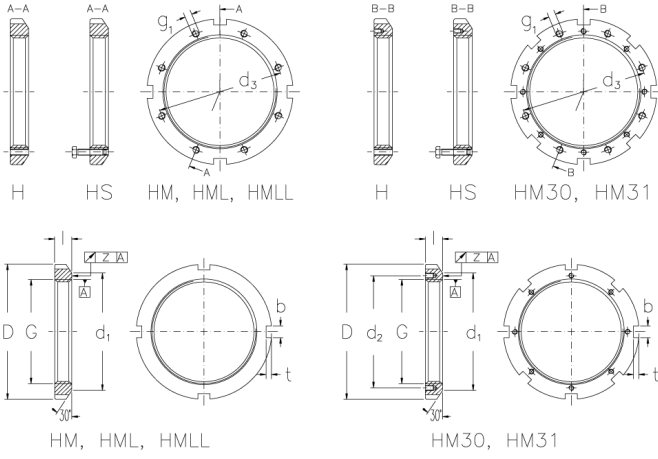




HMLL 55 T

Locknuts with trapezoidal threads



Technical data

| | |
|-------------|----------|
| G | Tr 275x4 |
| l (mm) | 27 |
| D (mm) | 320 |
| d1 (mm) | 304 |
| d2 (mm) | - |
| b (mm) | 18 |
| t (mm) | 8 |
| z (mm) | 0.12 |
| g1 | - |
| d3 (mm) | - |
| Weight (kg) | 4.4 |