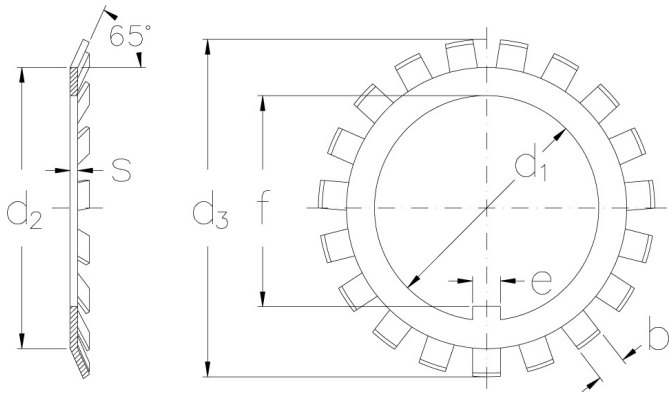




MB 18 A

Locking washers strengthened version



Technical data

d1 (mm)	90
d2 (mm)	108
d3 (mm)	126
s (mm)	2.5
e (mm)	10
b (mm)	10
f (mm)	86.5
Weight (kg)	0.087

GTIN/EAN



Related products

KM 18
Locknuts with metric threads