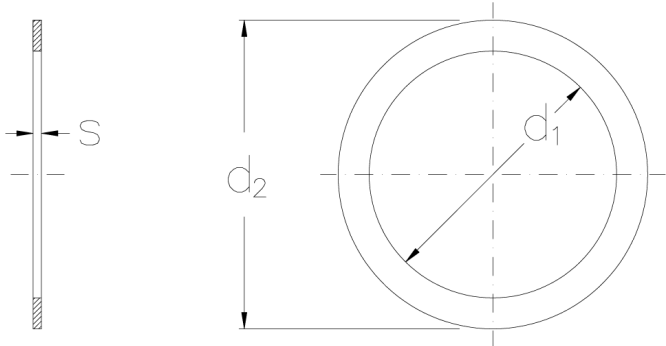




MB 52 H
Mounting
washers



Technical data

d1 (mm)	262
d2 (mm)	305
s (mm)	2.5
Weight (kg)	0.38

GTIN/EAN

