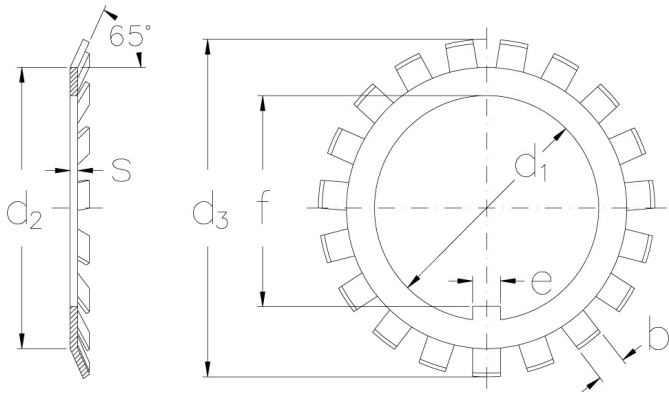




## MB 17

Locking washers with metric dimensions



### Technical data

d1 (mm)	85
d2 (mm)	102
d3 (mm)	119
s (mm)	1.75
e (mm)	10
b (mm)	8
f (mm)	81.5
Weight (kg)	0.053

GTIN/EAN



### Related products

KM 17

Locknuts with metric threads