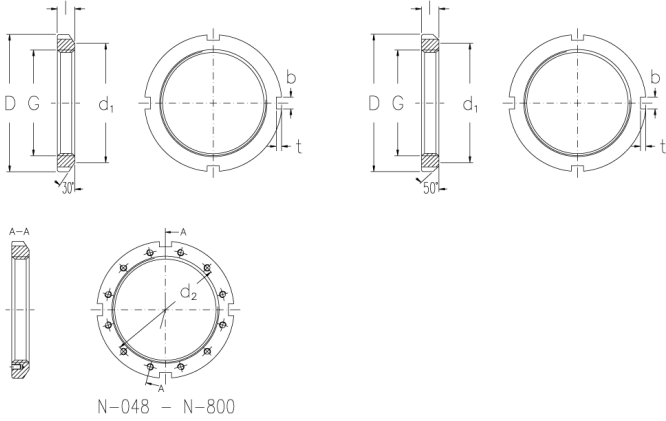




N-750

Locknuts with inch dimensions



Technical data

G (Inch)	29.536
Threads per inch	3
l (Inch)	3.578
D (Inch)	34.255
d1 (Inch)	32.313
b (Inch)	2.23
t (Inch)	1.01
d2 (Inch)	32.235
Weight (kg)	108.5
Screw	5/8 - 11-1 1/4

GTIN/EAN

