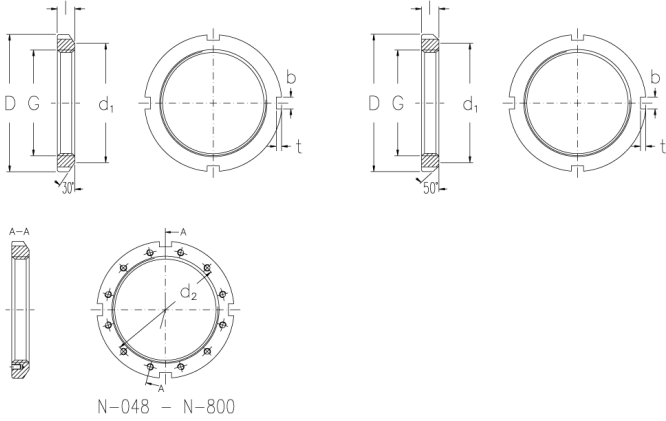




N-500

Locknuts with inch dimensions



Technical data

G (Inch)	19.682
Threads per inch	5
l (Inch)	2.703
D (Inch)	22.818
d1 (Inch)	21.688
b (Inch)	1.48
t (Inch)	0.604
d2 (Inch)	21.61
Weight (kg)	37
Screw	5/8 - 11-1 1/4

GTIN/EAN

