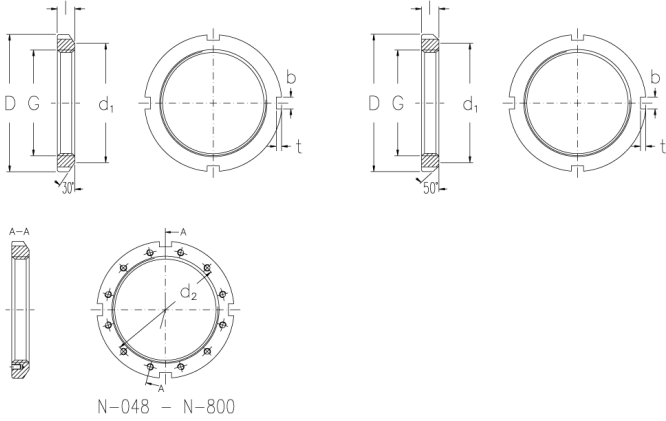




N-092

Locknuts with inch dimensions



Technical data

G (Inch)	18.107
Threads per inch	5
l (Inch)	2.385
D (Inch)	21.255
d1 (Inch)	20.688
b (Inch)	1.355
t (Inch)	0.604
d2 (Inch)	19.985
Weight (kg)	25.5
Screw	5/8 - 11-1

GTIN/EAN

