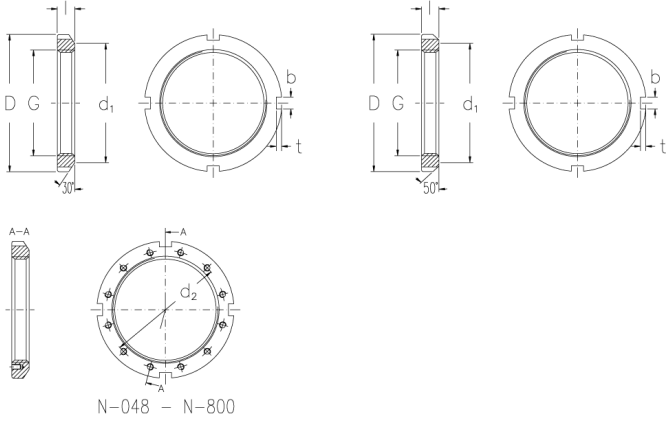




N-080

Locknuts with inch dimensions



Technical data

G (Inch)	15.745
Threads per inch	5
l (Inch)	2.073
D (Inch)	18.505
d1 (Inch)	17.438
b (Inch)	1.23
t (Inch)	0.604
d2 (Inch)	17.235
Weight (kg)	16.5
Screw	1/2 - 13-7/8

GTIN/EAN

