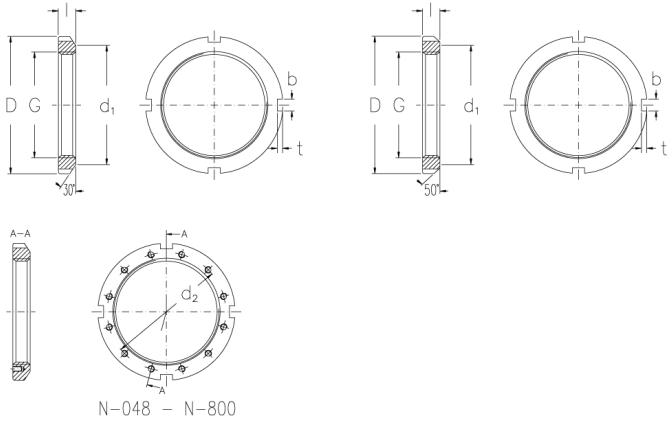




N-064

Locknuts with inch dimensions



Technical data

G (Inch)	12.562
Threads per inch	6
l (Inch)	1.666
D (Inch)	15.005
d1 (Inch)	14.031
b (Inch)	0.98
t (Inch)	0.51
d2 (Inch)	13.86
Weight (kg)	9
Screw	3/8 - 16-3/4

GTIN/EAN

