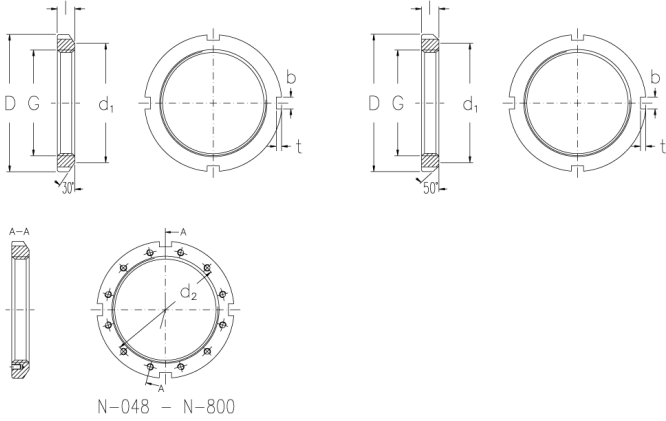




# N-028

Locknuts with inch dimensions



## Technical data

G (Inch)	5.497
Threads per inch	12
l (Inch)	0.948
D (Inch)	6.505
d1 (Inch)	6.109
b (Inch)	0.485
t (Inch)	0.198
d2 (Inch)	-
Weight (kg)	0.98

GTIN/EAN



## Related products

W-028  
Locking washers with inch dimensions