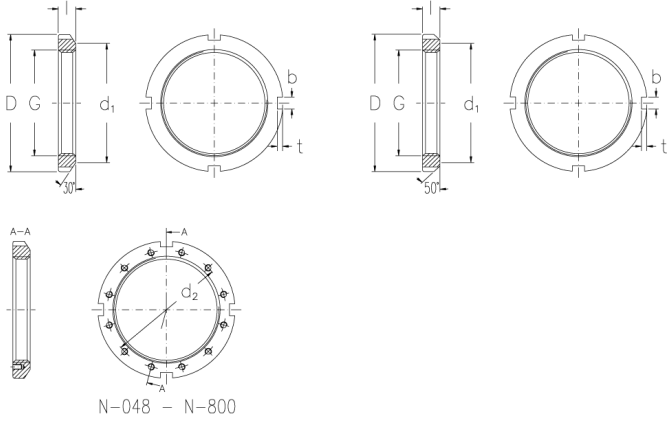




AN-38

Locknuts with inch dimensions



Technical data

G (Inch)	7.472
Threads per inch	8
l (Inch)	1.135
D (Inch)	9.474
d1 (Inch)	8.781
b (Inch)	0.735
t (Inch)	0.323
d2 (Inch)	-
Weight (kg)	3.4

GTIN/EAN



Related products

W-38
Locking washers with inch dimensions