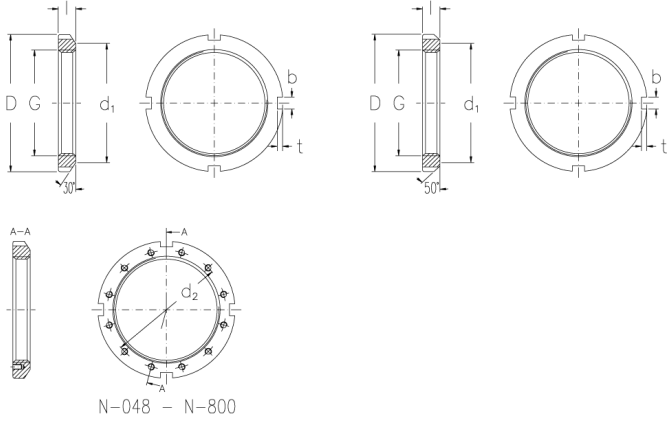




AN-21

Locknuts with inch dimensions



Technical data

G (Inch)	4.122
Threads per inch	12
l (Inch)	0.76
D (Inch)	5.443
d1 (Inch)	5
b (Inch)	0.485
t (Inch)	0.198
d2 (Inch)	-
Weight (kg)	0.85

GTIN/EAN



Related products

W-21
Locking washers with inch dimensions