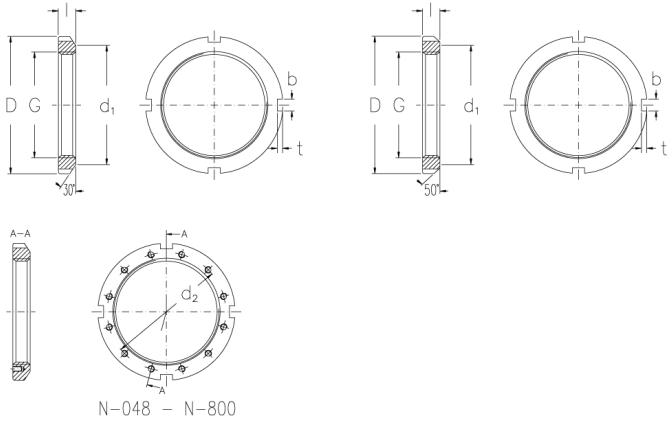




# AN-17

Locknuts with inch dimensions



## Technical data

G (Inch)	3.34
Threads per inch	12
l (Inch)	0.635
D (Inch)	4.411
d1 (Inch)	4.031
b (Inch)	0.36
t (Inch)	0.166
d2 (Inch)	-
Weight (kg)	0.45

GTIN/EAN



## Related products

W-17  
Locking washers with inch dimensions