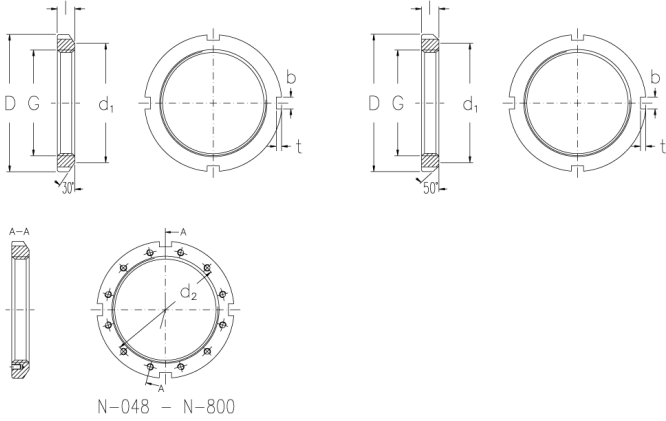




N-05

Locknuts with inch dimensions



Technical data

G (Inch)	0.969
Threads per inch	32
l (Inch)	0.416
D (Inch)	1.568
d1 (Inch)	1.281
b (Inch)	0.178
t (Inch)	0.104
d2 (Inch)	-
Weight (kg)	0.05

GTIN/EAN



Related products

W-05
Locking washers with inch dimensions