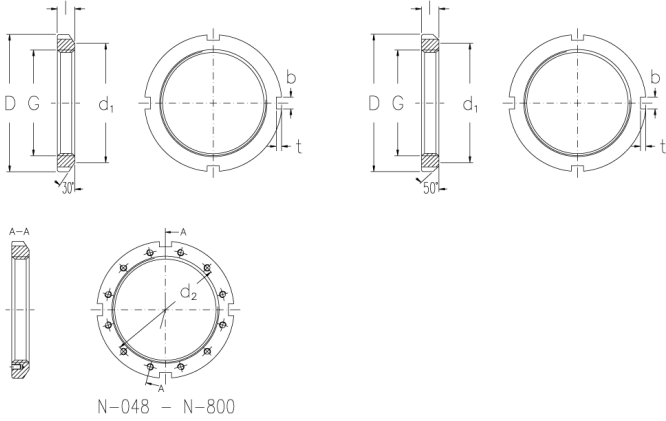




# N-03

Locknuts with inch dimensions



### Technical data

G (Inch)	0.664
Threads per inch	32
l (Inch)	0.354
D (Inch)	1.13
d1 (Inch)	0.938
b (Inch)	0.12
t (Inch)	0.104
d2 (Inch)	-
Weight (kg)	0.03

### Related products

W-03  
Locking washers with inch dimensions