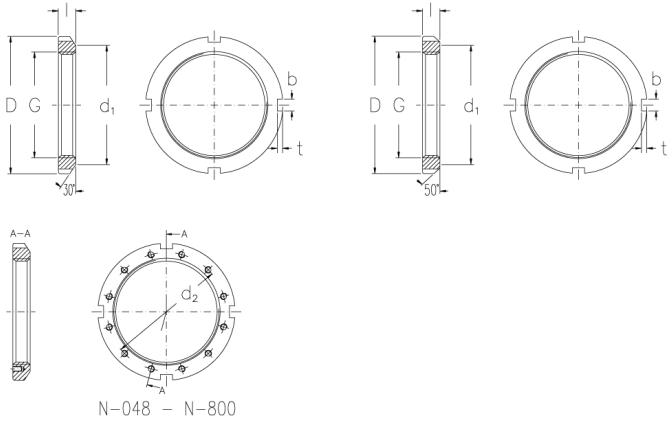




N-00

Locknuts with inch dimensions



Technical data

G (Inch)	0.391
Threads per inch	32
l (Inch)	0.229
D (Inch)	0.755
d1 (Inch)	0.625
b (Inch)	0.12
t (Inch)	0.073
d2 (Inch)	-
Weight (kg)	0.01

Related products

W-00
Locking washers with inch dimensions