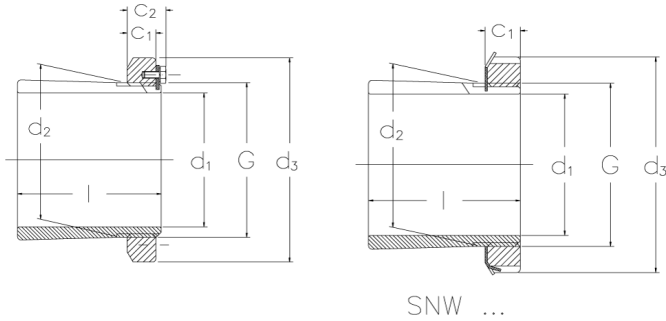




SNP 3180-14 15/16

Adapter sleeves with inch dimensions



Technical data

d1 (Inch)	14 15/16
d2 (mm)	400
l (Inch)	10.459
d3 (Inch)	18 1/2
G (Inch)	15.709
c1 (Inch)	2.51
c2 (Inch)	2.353
Threads per inch	5
Weight (kg)	59

Related products

N-080
Locknuts with inch dimensions