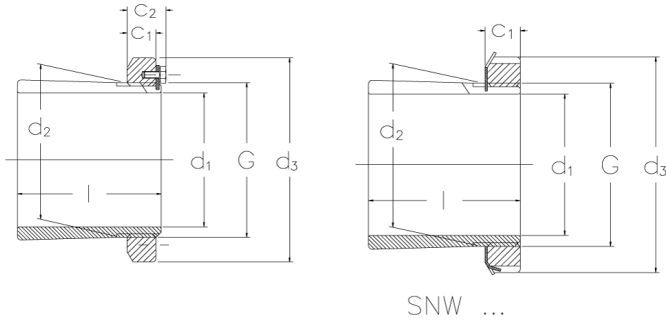




SNP 3060-10 15/16

Adapter sleeves with inch dimensions



Technical data

| | |
|------------------|----------|
| d1 (Inch) | 10 15/16 |
| d2 (mm) | 300 |
| l (Inch) | 6.727 |
| d3 (Inch) | 14 3/16 |
| G (Inch) | 11.785 |
| c1 (Inch) | 1.573 |
| c2 (Inch) | 1.948 |
| Threads per inch | 6 |
| Weight (kg) | 27 |

Related products

N-060
Locknuts with inch dimensions