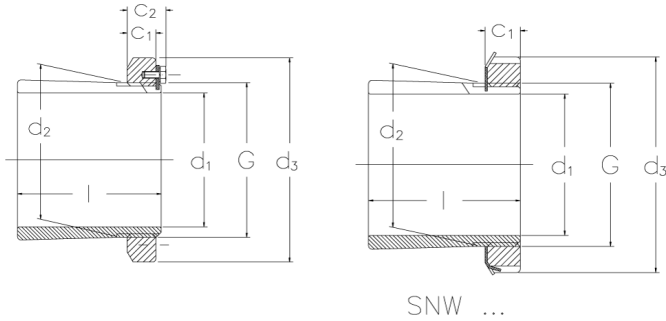




SNP 3056-10 7/16

Adapter sleeves with inch dimensions



Technical data

d1 (Inch)	10 7/16
d2 (mm)	280
l (Inch)	6.191
d3 (Inch)	13
G (Inch)	11.004
c1 (Inch)	1.51
c2 (Inch)	1.854
Threads per inch	6
Weight (kg)	20.6

Related products

N-056
Locknuts with inch dimensions