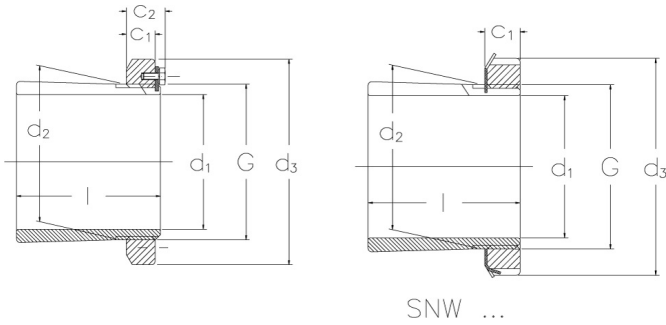




# SNP 3052-9 7/16

Adapter sleeves with inch dimensions



## Technical data

d1 (Inch)	9 7/16
d2 (mm)	260
l (Inch)	6.019
d3 (Inch)	12 3/16
G (Inch)	10.192
c1 (Inch)	1.416
c2 (Inch)	1.76
Threads per inch	6
Weight (kg)	18.6

## Related products

N-052

Locknuts with inch dimensions