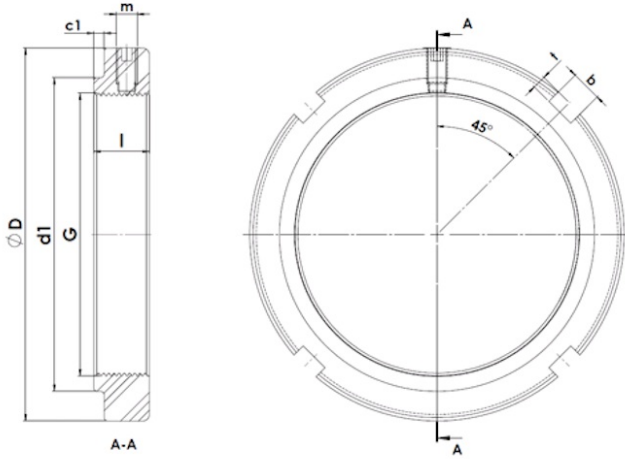




KMS1-34

Lock nut with integrated clamping element



Technical data

G	M170x3
l (mm)	33
D (mm)	220
d1 (mm)	184
c1 (mm)	12
m	M10
b (mm)	16
t (mm)	7
Weight (kg)	3.02