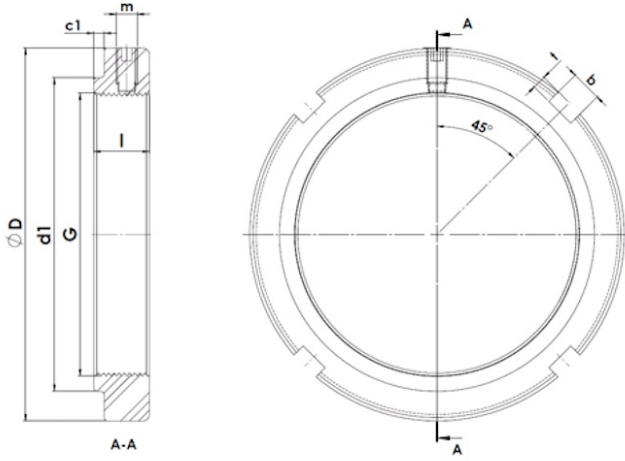




KMS1-22

Lock nut with integrated clamping element



Technical data

G	M110x2
l (mm)	21.5
D (mm)	145
d1 (mm)	121
c1 (mm)	4
m	M8
b (mm)	12
t (mm)	5
Weight (kg)	1.05