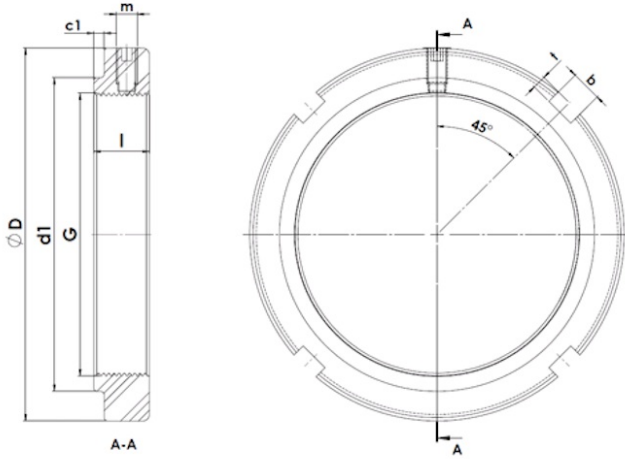




# KMS1-16

Lock nut with integrated clamping element



## Technical data

G	M80x2
l (mm)	18
D (mm)	105
d1 (mm)	91.5
c1 (mm)	3
m	M8
b (mm)	8
t (mm)	3.5
Weight (kg)	0.48