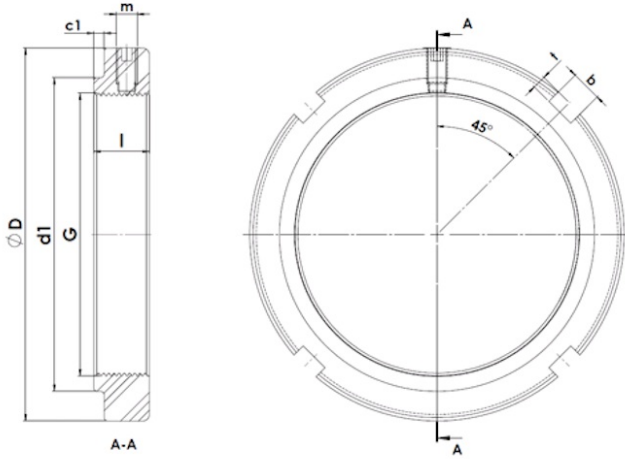




KMS1-15

Lock nut with integrated clamping element



Technical data

G	M75x2
l (mm)	16
D (mm)	98
d1 (mm)	84
c1 (mm)	3
m	M6
b (mm)	8
t (mm)	3.5
Weight (kg)	0.36