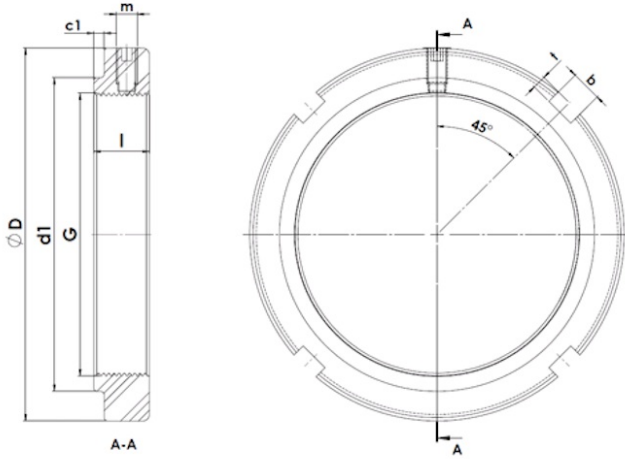




# KMS1-14

Lock nut with integrated clamping element



## Technical data

G	M70x2
l (mm)	15
D (mm)	92
d1 (mm)	79
c1 (mm)	3
m	M6
b (mm)	8
t (mm)	3.5
Weight (kg)	0.3