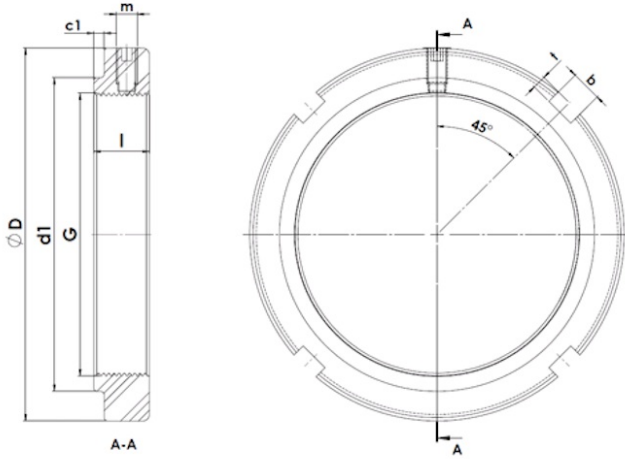




KMS1-10

Lock nut with integrated clamping element



Technical data

G	M50x1,5
l (mm)	14
D (mm)	70
d1 (mm)	57.5
c1 (mm)	3
m	M6
b (mm)	6
t (mm)	2.5
Weight (kg)	0.18