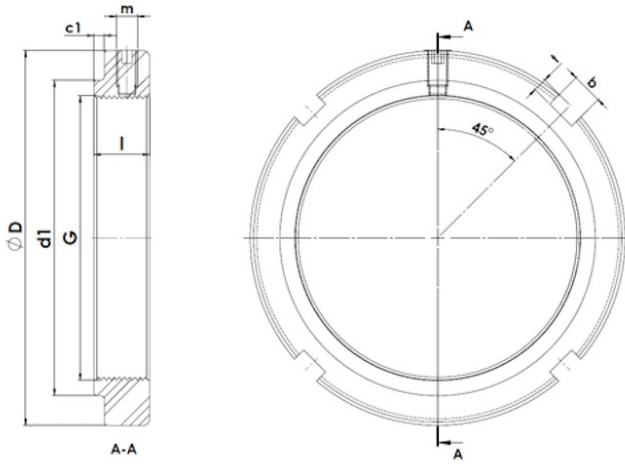




## KMS1-09

Lock nut with integrated clamping element



### Technical data

G	M45x1,5
l (mm)	13
D (mm)	65
d1 (mm)	53
c1 (mm)	3
m	M6
b (mm)	6
t (mm)	2.5
Weight (kg)	0.15