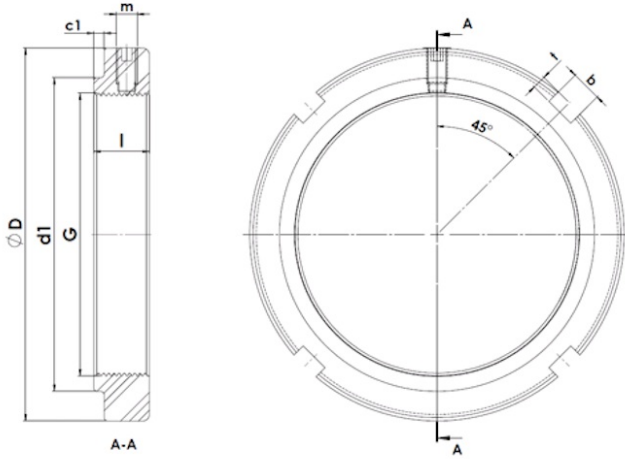




# KMS1-07

Lock nut with integrated clamping element



## Technical data

G	M35x1,5
l (mm)	11.5
D (mm)	52
d1 (mm)	42.5
c1 (mm)	3
m	M5
b (mm)	5
t (mm)	2
Weight (kg)	0.09